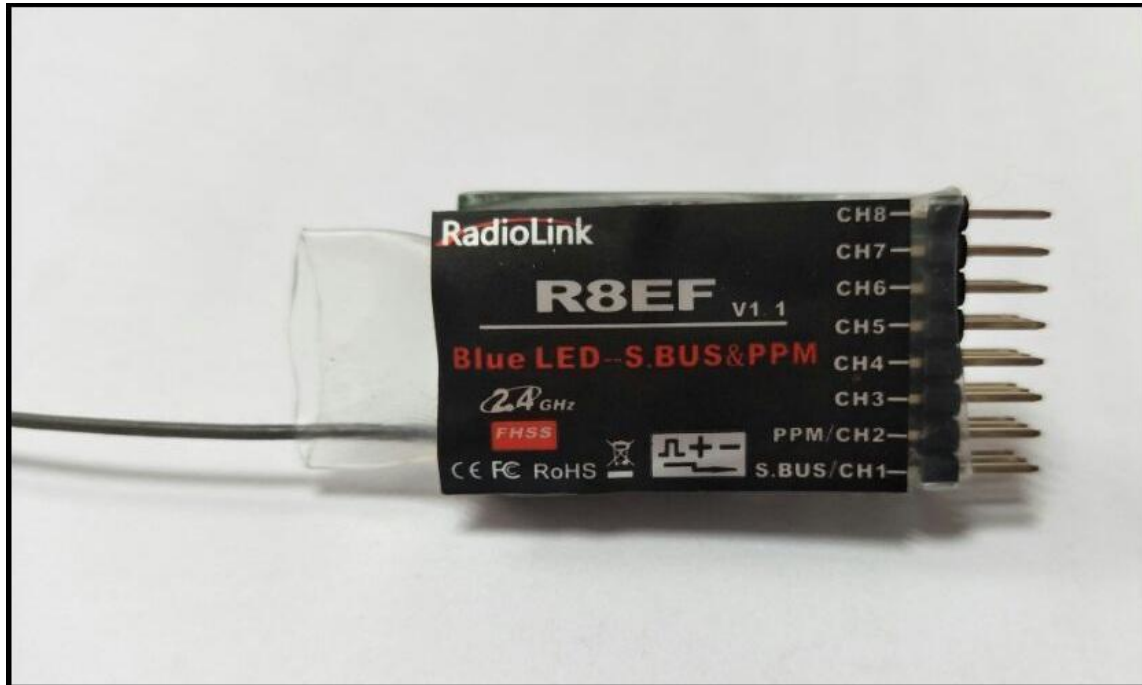
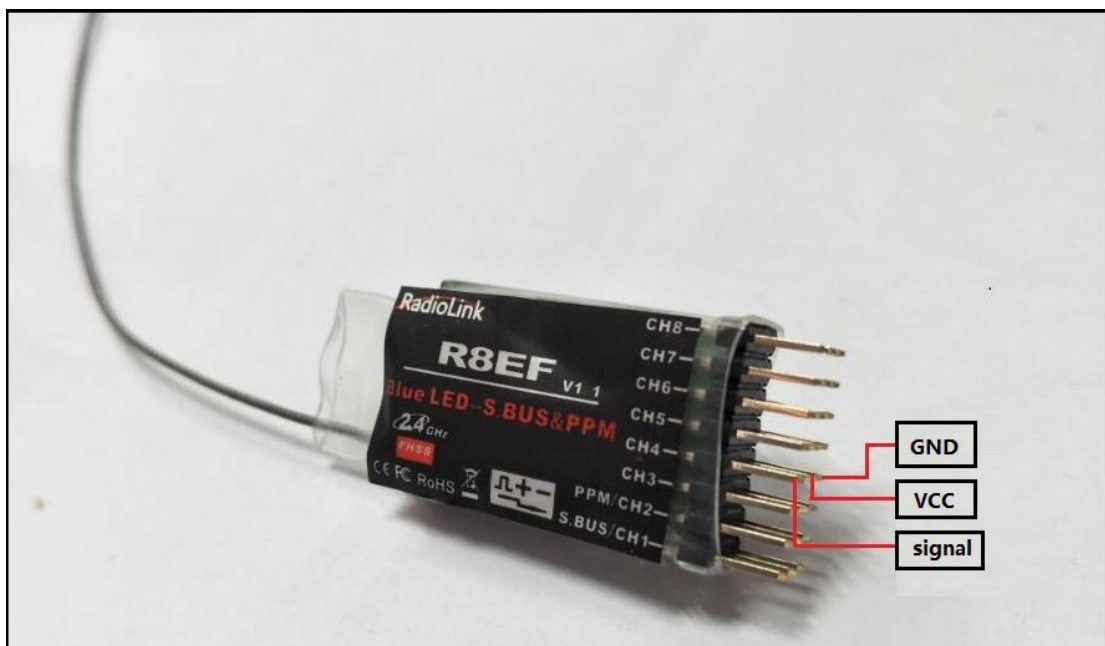


R8EF

(FHSS)



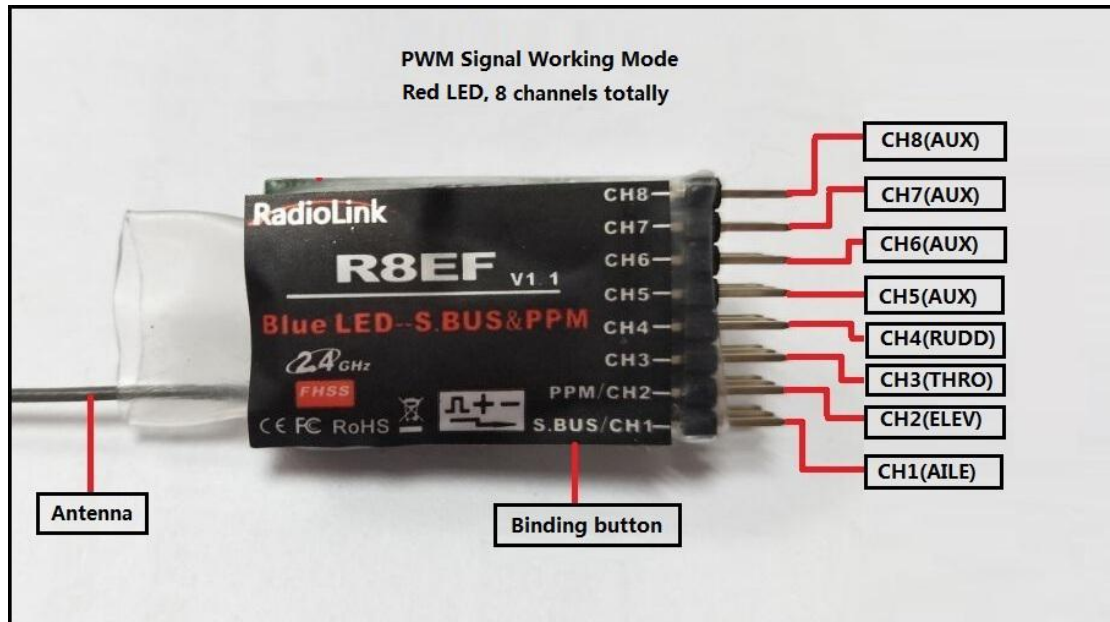
Radiolink R8EF, 2.4G 8 channels receiver, S-BUS, PPM and PWM signal support, use for Radiolink transmitter T8FB.



Two signal working mode:

1. PWM signal output working mode :

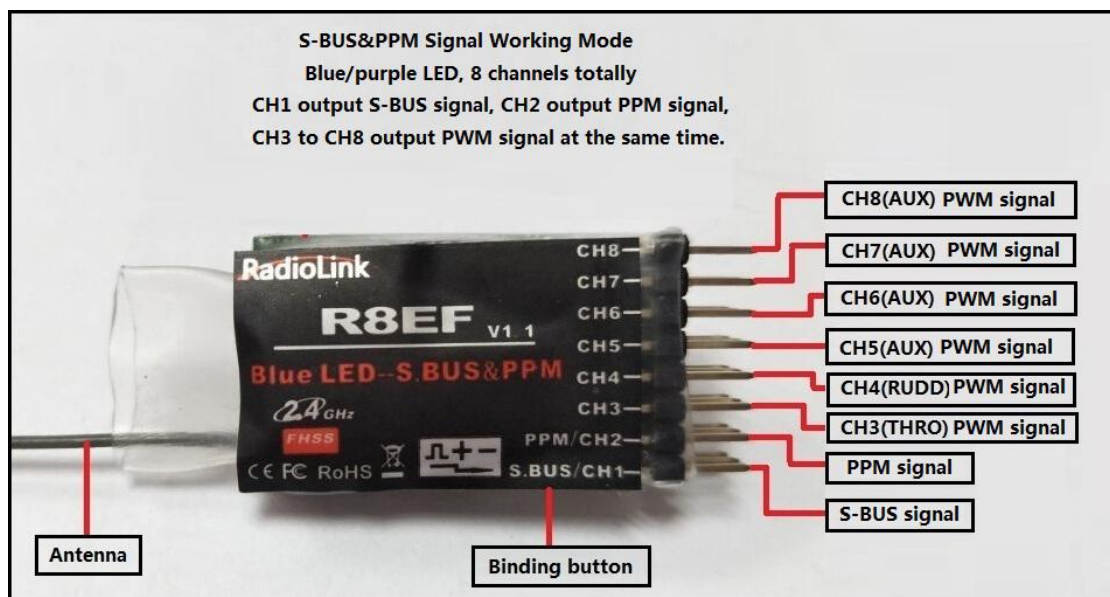
Red LED indicates PWM signal output, 8 channels Totally.



2. S-BUS&PPM signal output working mode:

Blue/purple LED indicates SBUS&PPM signal output, 8 channels totally. SBUS and PWM signal possible working at the same time with S-BUS&PPM signal output working mode.

CH1 output S-BUS signal, CH2 output PPM signal, CH3 to CH8 output PWM signal at the same time.



S-BUS&PPM and PWM signal change:

Quick press the ID SET switch twice within 1 second, the signal is changed from PWM to S-BUS&PPM. The red LED indicates the PWM and blue/purple indicates S-BUS&PPM.

How to match code with transmitter:

1. Put the transmitter and the receiver close to each other within 1 meter.
2. Turn on the transmitter, then power on the R8EF.
3. There is a black button on the R8EF, press the binding button in one second until the receiver light starts blinking and release, after about 8 times blinking, match code success when receiver signal LED always on.

Installment of receiver antenna :

1. The antenna must be kept as straight as possible. Otherwise it will reduce the effective range.
2. Large model aircraft may of some metal part interfering signal, in this case the antenna should be placed at side of the model.
3. The antenna must be kept away from conductive materials, such as metal and carbon by at least a half inch. The coaxial part of the antenna does not need to follow these guidelines, but do not bend it in a small radius.
4. Keep the antenna away from the motor, ESC, and other noise sources as much as possible.
5. The receiver can be packed by sponge or foam for shocking proof when it is installed to the model.

After all of the above steps finished, now the program functions to assure it under control of transmitter with a right connection.

Specification:

1. Channels: 8 channels
2. Working voltage: 4.8-10V
3. Working current: 30mA (input voltage: 5V)
4. Size: 48.5*21*11mm
5. Weight: 7g
6. 2048 section precision, 0.5us per section, servo anti-shake rudder.
7. Control distance: about 2000 meters air, actually control distance depends on the environment.